

Oil Dampers with Fixings on Both Ends

Oil dampers with fixings on both ends are used when moving objects may not exceed a certain speed e.g. flaps, lids, lever arms. They are fixed at both ends and slow down the movement over the whole distance. The oil dampers control **pull** or **push forces** as well as pull **and** push forces.

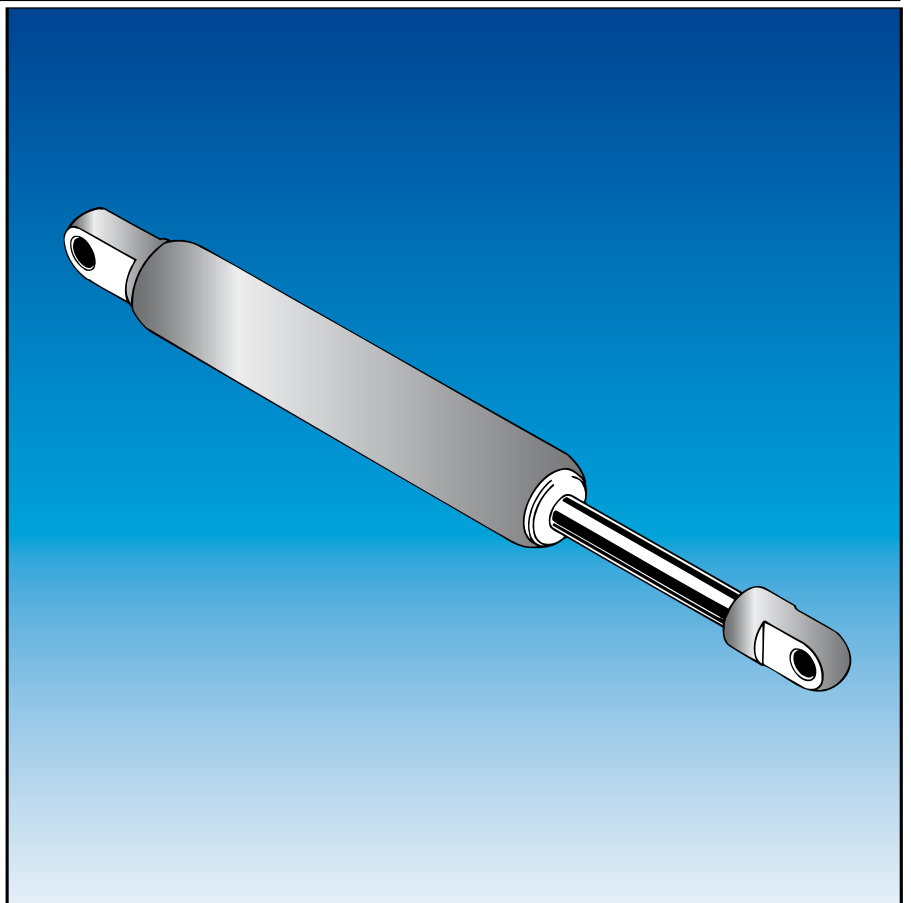
Oil dampers with fixings on both ends are available in **2 designs**:

- as preset oil damper **ÖD**
- as adjustable oil damper **ÖDR**

With the preset oil dampers (**ÖD**) as economically priced alternative the required extending and retracting speed of the piston rod is preset during fabrication according to your requirements. The exact speed is subject to certain tolerances. It depends on the type of installation and on the tolerances of the boring in the piston.

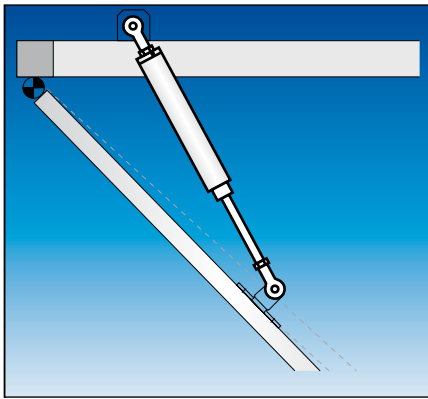
The **adjustable** oil dampers (**ÖDR**) are the ideal solution when the forces cannot exactly be determined, as the damping force can be adjusted on site.

The fabrication of the oil dampers is generally to order. Therefore it is no problem to realize special, customized designs.



Technical Data

Diameter piston rod	ÖD: 6, 8, 10, 14 mm / ÖDR: 6, 10, 14, 25 mm
Diameter cylinder	ÖD: 19, 23, 28, 40 mm / ÖDR: 20, 28, 35, 69 mm
Strokes / Damping forces	20 mm - 1000 mm / up to 7500 N max.
Operating temperature	0 °C - 60 °C; on demand also other temperatures
Finish piston rod	hard chromed, AISI 304, AISI 316
Finish cylinder	zinc-plated or painted in RAL colours, AISI 304, AISI 316
Damping fluid	hydraulic, biological oil
Maximum stroke frequency 6 strokes per minute	



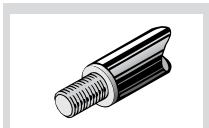
Preset Oil Dampers with Fixings on Both Ends, ÖD

Preset oil dampers are always produced to order. Stroke and therewith the length of the cylinder, end fittings, damping force and speed depend on the application it is designed for.

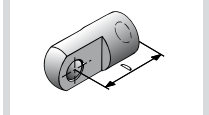
The speed realised when the oil damper has been fitted may vary from the adjusted speed. It depends on several parameters of the installation, for example the acting forces and the installation situation. The speed furthermore depends on the damping force. Therefore not all combinations of speed and damping force are possible. Please observe the tolerances given below.

End Fittings

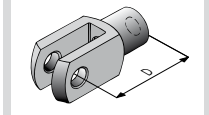
On piston rod



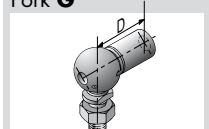
Threaded end **GZ**



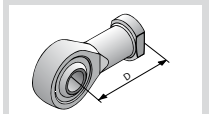
Eyelet **A**



Fork **G**

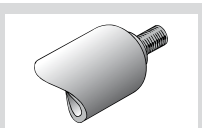


Ball and socket joint **WG**

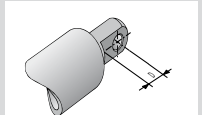


Rose bearing **GK**

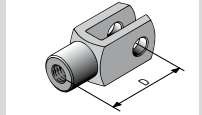
On cylinder



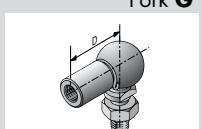
Threaded end **GZ**



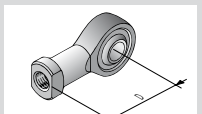
Eyelet **A**



Fork **G**



Ball and socket joint **WG**



Rose bearing **GK**

Exactly dimensioned drawings of the above end fittings with indication of measure D can be found on page 03.030.00.

Material

Default version: Piston rod hard chromed,
cylinder zinc-plated
Special execution: 8-23 and 10-28 completely from AISI 304 and AISI 316

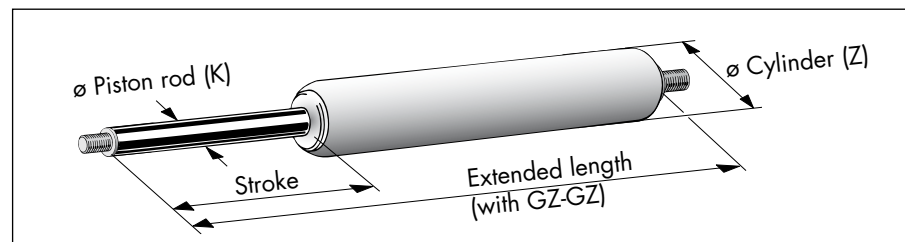
Types of damping

- 1 = damping on extending stroke (pull forces)
- 2 = damping on compressing stroke (push forces)
- 3 = damping on both extending and compressing stroke (push and pull forces)

Determining your preset oil damper

With help of the following table you can easily find the correct oil damper if you already know the necessary stroke, force and end fittings. If you require other end fittings than the threaded end, simply add the measurement D of the chosen end fitting to the total length of the oil damper.

If not all data are available or if you need technical advice, please contact our advisory service.

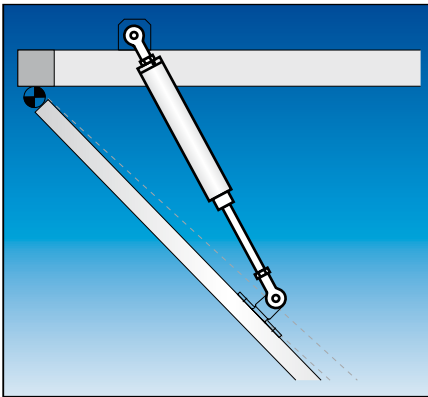


Required data	Diameters				Your ÖD
	6-19	8-23	10-28	14-40	
ø K / ø Z [mm]	6-19	8-23	10-28	14-40	<input type="text"/>
Max. stroke [mm]	250	400	500	500	<input type="text"/>
Type of damping	You can choose between: type of damping 1, 2, 3				<input type="text"/>
Damping fluid	oil	oil	oil	oil	<input type="text" value="oil"/>
Compressed length (Lc)	extended length - stroke				<input type="text"/>
Extended length (La)	min. 2 x stroke + measure F + measure(s) D of end fittings				<input type="text"/>
Measure F	38	45	45	70	<input type="text"/>
Piston rod end fittings	GZ, A*, G, WG, GK (observe measure D!)				<input type="text"/>
Cylinder end fittings	GZ, A*, G, WG, GK (observe measure D!)				<input type="text"/>
Options	6 = protective tube (La + 5 mm), 8 = plant oil				<input type="text"/>
Required speed	meter per second ¹⁾ ≥ 0.02 m/s				<input type="text"/>
Max. damping force [N]	400	700	1200	2500	<input type="text"/>

¹⁾ **Speed tolerances** (due to production):

- | | |
|-----------------------------|----------------------------|
| Oil dampers 6-19 +/- 25 %, | Oil dampers 8-23 +/- 20 % |
| Oil dampers 10-28 +/- 15 %, | Oil dampers 14-40 +/- 15 % |

If you need a more precise or a lower speed, please contact our technical department.



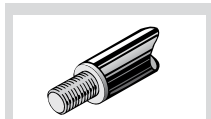
Adjustable Oil Dampers with Fixings on Both Ends, ÖDR

Adjustable oil dampers with fixings on both ends have - compared to the preadjusted oil dampers - a much more complicated design. However they are the ideal solution when the existing forces cannot be determined precisely. Damping force and speed are adjusted on site, once the damper has been installed.

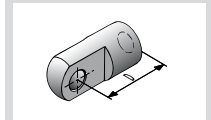
The standard adjustable oil dampers are produced in 4 different ranges of diameters. Which diameter should be chosen depends amongst others on the required stroke and the damping force.

End Fittings

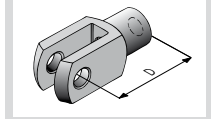
On piston rod



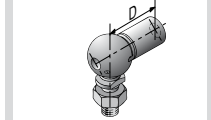
Threaded end **GZ**



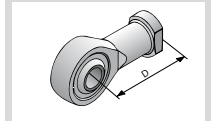
Eyelet **A**



Fork **G**

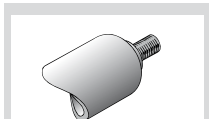


Ball and socket joint **WG**

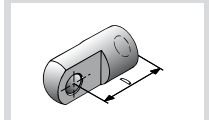


Rose bearing **GK**

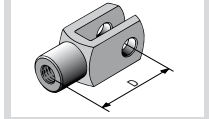
On cylinder



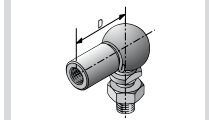
Threaded end **GZ**



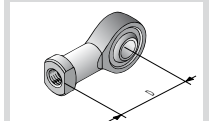
Eyelet **A**



Fork **G**



Ball and socket joint **WG**



Rose bearing **GK**

Exactly dimensioned drawings of the above end fittings with indication of measure D can be found on page 03.030.00.

Material

Standard: piston rod hard chromed
cylinder zinc-plated

Special types: 10-28 + 14-35 completely
from AISI 304 and AISI 316

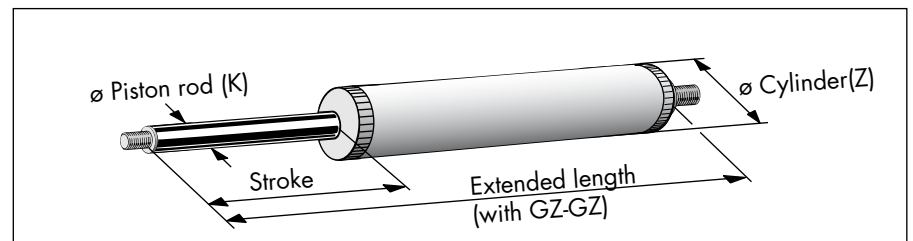
Types of damping

- 1 = damping on extending stroke (pull forces)
- 2 = damping on compressing stroke (push forces)
- 3 = damping on both extending and compressing stroke (push and pull forces)

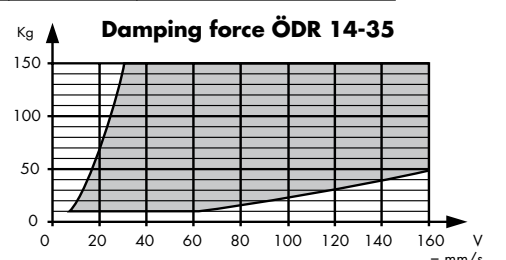
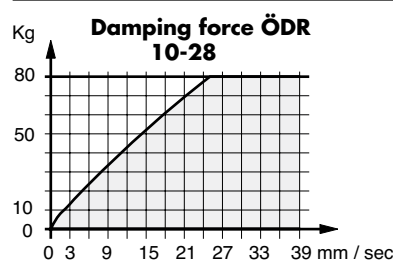
Determining your adjustable oil damper

With help of the following table you can easily find the correct oil damper if you already know the necessary stroke, force and end fittings. If you require other end fittings than the threaded end, simply add the measurement D of the chosen end fitting to the total length of the oil damper.

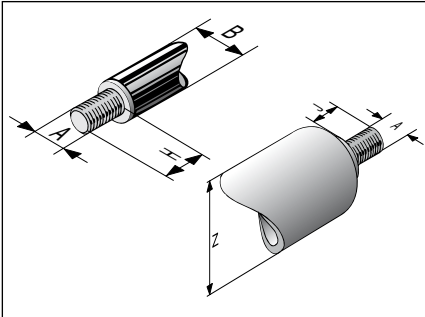
If not all data are available or if you need technical advice, please contact our advisory service.



Required data	Diameters				Your ÖDR
	6-20	10-28	14-35	25-69	
ø K / ø Z [mm]	6-20	10-28	14-35	25-69	<input type="text"/>
Max. stroke [mm]	75	500	1000	1000	<input type="text"/>
Type of damping	You can choose between: type of damping 1, 2, 3				<input type="text"/>
Damping fluid	oil	oil	oil	oil	<input type="text" value="oil"/>
Compressed length (Le)	extended length - stroke				<input type="text"/>
Extended length (La)	min. 2 x stroke + measure F + measure(s) D of end fittings				<input type="text"/>
Measure F	82	80	100	220	<input type="text"/>
Piston rod end fittings	GZ, A, G, WG(!), GK (observe measure D!)				<input type="text"/>
Cylinder end fittings	GZ, A, G, WG(!), GK (observe measure D!)				<input type="text"/>
Options	6 = protective tube (La + 20 mm!), 8 = plant oil				<input type="text"/>
Max. damping force [N]	220	1200	1200	7500	<input type="text"/>



End Fittings

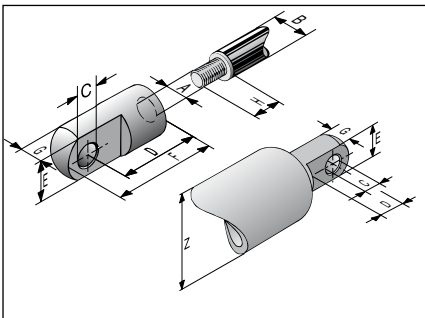


Threaded end on the piston rod (GZ)

	6-19 6-20	8-23	10-28	14-35	14-40	25-69
A	M5	M8	M8	M10	M10	M20x1,5
H	6,5	10	10	12	12	30
B	Ø6	Ø8	Ø10	Ø14	Ø14	Ø25

Threaded end on the cylinder (GZ)

	6-19	6-20	8-23	10-28	14-35	14-40	25-69
A	M5	M5	M8	M8	M10	M10	M20x1,5
J	8	8	12	12	12	12	30
Z	Ø19	Ø20	Ø23	Ø28	Ø35	Ø40	Ø69

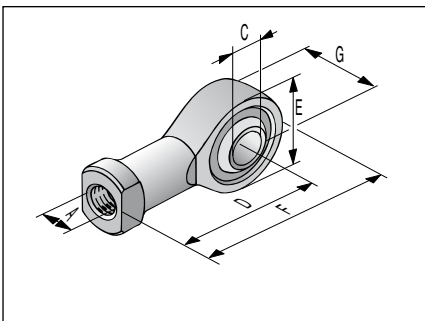


Eyelet with inside thread (a) - to be screwed onto

	6-19	6-20	8-23	10-28	14-35	14-40	25-69
A	M5	M5	M8	M8	M10	M10	M20x1,5
C	Ø6	Ø6	Ø8	Ø8	Ø8	Ø8	Ø20
D	16	16	22	22	30	30	80
E	10	10	14	14	18	18	40
F	21	21	32	32	40	40	105
G	6,5	6,5	10	10	10	10	20

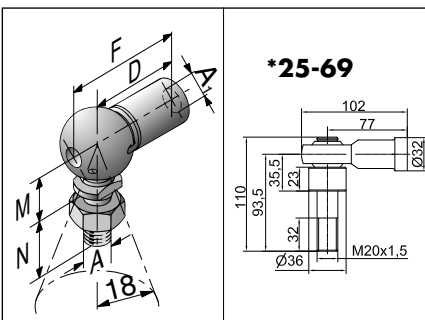
Eyelet on cylinder end (A) - pressed into cylinder*

	6-19	8-23	10-28ÖD	
C	Ø6	Ø8	Ø8	* This eyelet is only available for the adjacent series. For all other series, please use the eyelet with inside thread both on the piston rod and the cylinder.
D	11	13	16	
E	10	14	18	
G	6	10	10	



Rose bearing (GK) (for piston rod and cylinder)

	6-19/6-20	8-23	10-28	14-35/14-40	25-69
Part no.	205800	205801	205801	205802	205804
A	M5	M8	M8	M10	M20x1,5
C	5	8	8	10	20
D	27	36	36	43	77
E	18	24	24	28	50
F	36	48	48	57	102
G	8	8	8	14	25

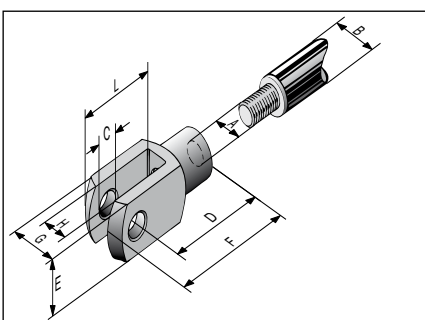


Ball and socket joint (WG) DIN 71802 (for piston rod and cylinder)

	6-19	6-20	8-23	10-28	14-35	14-40	25-69*
A ₁ /A	M5	M5	M8	M8	M10	M10	M20x1,5
D	22	22	30	30	35	35	77
F	28	28	39	39	46	46	102
M	9	9	13	13	16	16	see drawing
N	10	10	16	19	19	19	see drawing

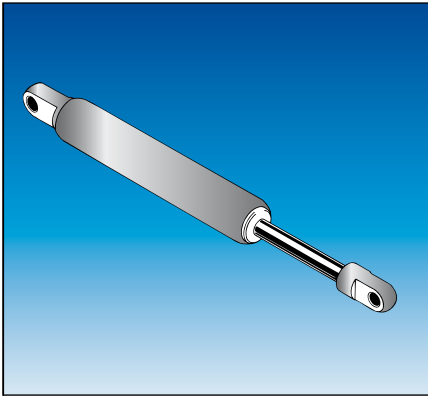
ATTENTION: With ball and socket joints from AISI 304 or AISI 316 the maximum admissible damping forces are reduced as follows:

6-19 and 6-20: 300 N / 8-23 and 10-28: 800 N / 14-35 and 14-40: 1200 N



Fork (G) DIN 71752 (for piston rod and cylinder)

	6-19	6-20	8-23	10-28	14-35	14-40	25-69
A	M5	M5	M8	M8	M10	M10	M20x1,5
B	Ø6	Ø6	Ø8	Ø10	Ø14	Ø14	Ø25
C	Ø5	Ø5	Ø8	Ø8	Ø10	Ø10	Ø20
D	20	20	32	32	40	40	80
E	10	10	16	16	20	20	40
F	26	26	41	41	52	52	105
G	10	10	16	16	20	20	40
H	5	5	8	8	10	10	20
L	16	16	25	25	32	32	65



Installation, Fixing Brackets

Gladly we will help you in choosing the most appropriate oil damper for your application. The following information would be very helpful:
Description of the problem, dimensioned drawing and weight

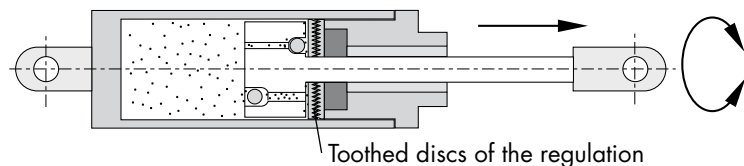
Adjusting the Damping of the ÖDR

The adjusting of the damping force works the same way as with the final dampers with stepped adjustment (see page 03.005.00).

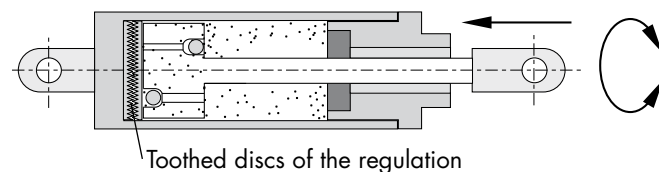
Standard stepped adjustment: The piston rod is pulled out completely (Attention: For this purpose you should never use nippers as this would damage the surface of the piston rod and following the seal). Then you increase or decrease the damping force by turning the piston rod.

Some oil dampers are produced with the adjustment when the piston rod is completely pushed in. Please observe the label on the cylinder!

Adjusting with the completely pulled out piston rod



Adjusting with the completely pushed in piston rod



Installation Instruction

Oil dampers start damping only after a few millimeters of travel.

Oil dampers should not be used as a final stopping device. It is recommended to provide a separate mechanical final stop.

Fixing Accessories

For the mounting of the oil dampers various fixing brackets are available. The type of bracket to be chosen depends on the end fittings of the oil damper and the type of mounting (lateral or frontal). A large variety can be found in the chapter gas springs of this catalogue.



Adjustable Oil Dampers with Fixings, ÖDR 14-35 for Hinged Gates with Ascending Hinges

Hinged doors and gates with ascending hinges which are opened by hand close as soon as they are free. Depending on the size of the door/gate, high loads can build up when the gate is closing. This represents a high injury risk for persons and it might damage the complete door installation.

The increased demands of the EN 13241 regarding safety will be met when an adjustable oil damper with fixings on both ends is mounted on these gates.

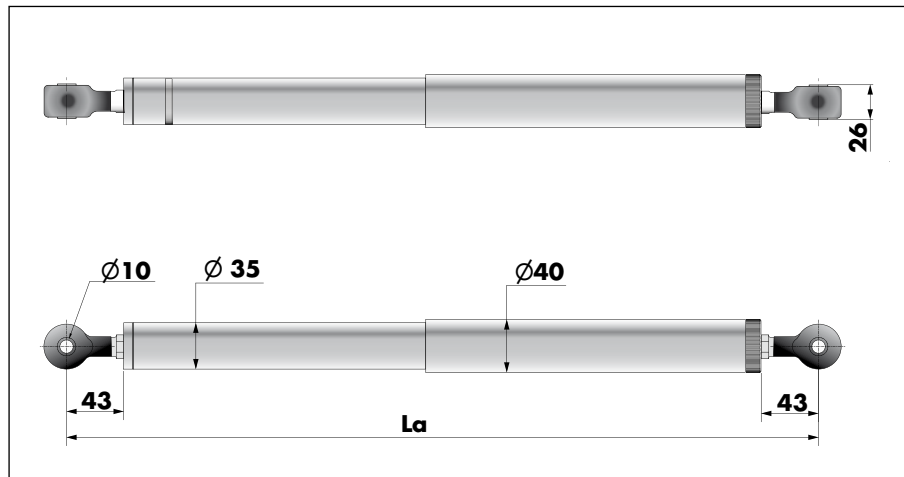
Versions

For the use on hinged gates with ascending hinges DICTATOR supplies adjustable oil dampers with three different stroke lengths. Due to the outside application they always have a protective tube to protect the piston rod against dirt and damage.

As one end of the oil dampers is fixed on the gate and the other one on the wall or the jamb, they provide a cushioned movement during the complete closing.

Information about fixing accessories can be found two pages ahead.

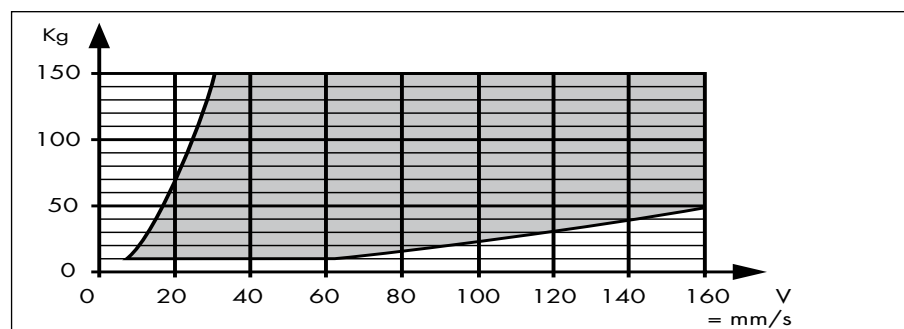
Dimensions



Stroke (mm)	La* GK-GK (mm)
200	700
300	900
400	1100

* La = extended length (with end fittings)

Diagram Load - Speed





Adjustable Oil Dampers with Fixings, ÖDR 14-35 for Hinged Gates with Ascending Hinges - cont.

Gladly we will help you in choosing the most appropriate oil damper for your application. For this we need the following data:

- dimensions and weight of the gate
- opening angle
- gradient
- fixing possibilities

The rose bearings (GK) are sealed against entering water.

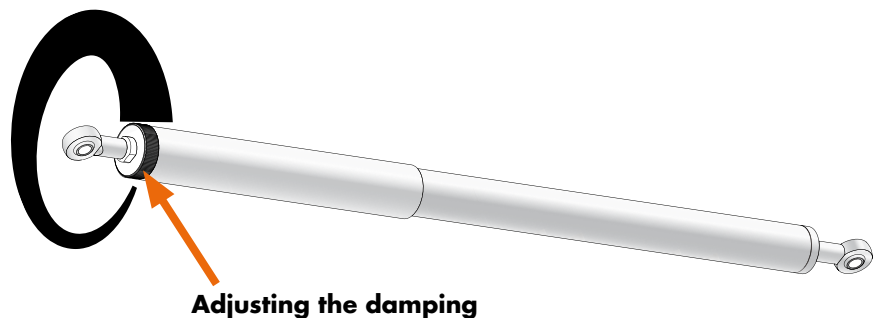
Technical Data

Maximum tensile load	1500 N = approx. 150 kg
Minimum speed	35 mm/s
Material piston rod	hard chromed
Material/finishing cylinder	zinc-plated steel, in addition covered with shrink wrap, colours either black, grey or white
Material/finishing protective tube	aluminium, in addition covered with shrink wrap, colours either black, grey or white

Adjusting the Damping

The damping force of the adjustable oil dampers ÖDR for hinged gates with ascending hinges can be regulated **when they are mounted**. For this purpose the dampers have a knurled shifting ring which allows an exact adaption of the damping to the respective gate.

Due to the outside installation, larger temperature changes influence the damping behaviour. But the damping force can easily be adapted.



Order Information

Model	Part number		
	black	grey	white
ÖDR 14-35-200-1/Öl-500-700-GK-GK-6 with protective tube and external regulation	392530S	392530G	392530W
ÖDR 14-35-300-1/Öl-600-900-GK-GK-6 with protective tube and external regulation	392540S	392540G	392540W
ÖDR 14-35-400-1/Öl-700-1100-GK-GK-6 with protective tube and external regulation	392550S	392550G	392550W

On demand, these dampers are also available completely in AISI 304.

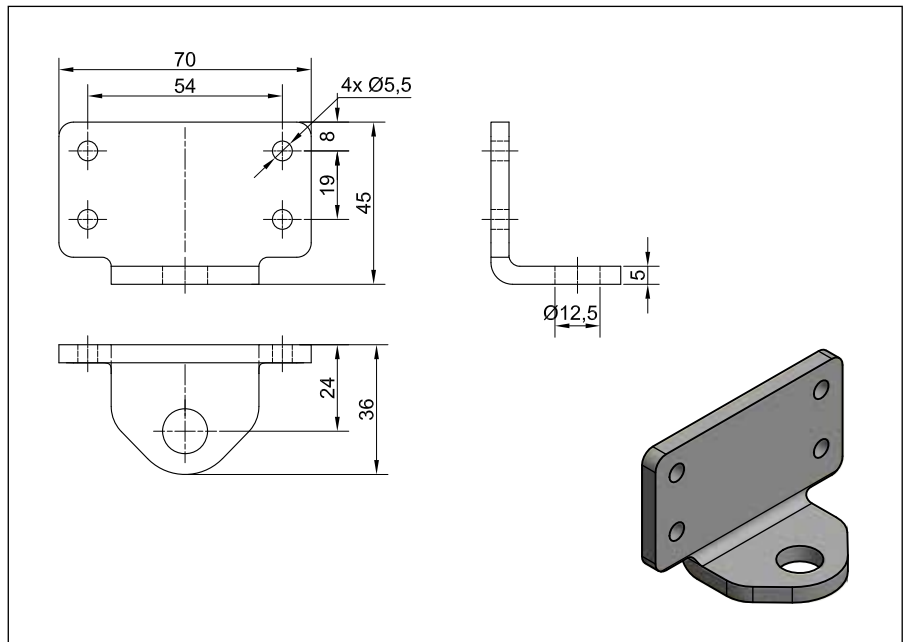


Adjustable Oil Dampers with Fixings, ÖDR 14-35 for Hinged Gates with Ascending Hinges - Fixing

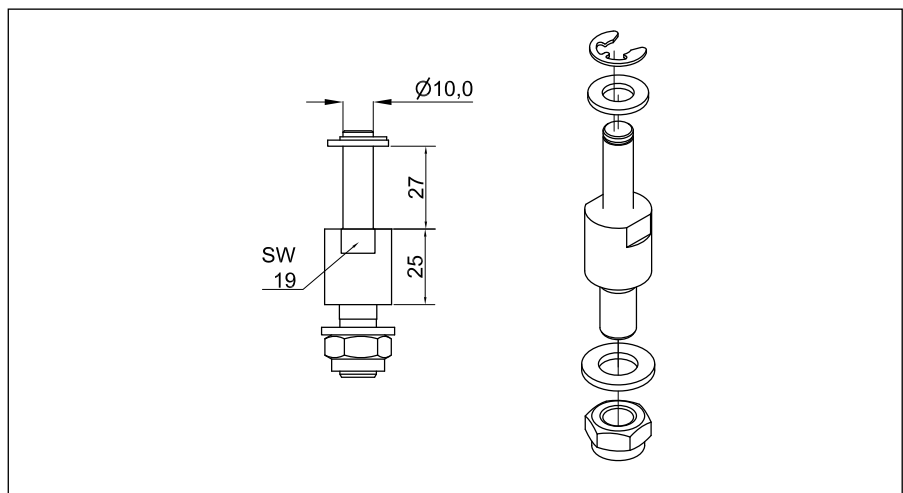
Due to the many different gate and hinge situations, for the ÖDR 14-35 no standard fixing brackets are available. Often, however, the fixing bracket shown below can be used. Our technical staff members will be happy to help you.

For fixing the oil damper ÖDR in the fixing bracket or in brackets on site, a pin with the corresponding accessories is available.

Dimensions Fixing Bracket



Dimensions Fixing Pin



Order Information Accessories

Fixing pin ÖDR 25 mm, Ø 10 mm, zinc-plated, with accessories	part no. 205510
Fixing bracket TB 70x45x36, zinc-plated	part no. 205489