

D2a / D4 Closing Spring with Operating Arm

DICTATOR D2a and D4 closing springs with operating arm are a simple and cost-effective door closing device suitable for all kinds of right and left hand doors.

The adjustable spring force is transferred to the door by an operating arm running on a small roller fixed to the door.

The spring arm can be positioned vertically to allow the door to be operated without the closing spring (e.g. for transport purposes).

The D2a/D4 closing springs come in various spring forces - for light and heavy doors.

The D2a and D4 closing springs are also furnished in **stainless steel** for outside doors, e.g. garden gates.

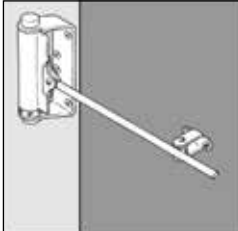
To close the door gently and quietly we recommend you use these closing springs in combination with a DICTATOR door check (see pages 02.003.00 and the following).



Technical Data

Material	nickel-plated or stainless steel
Spring force	10 - 50 N (adjustable)

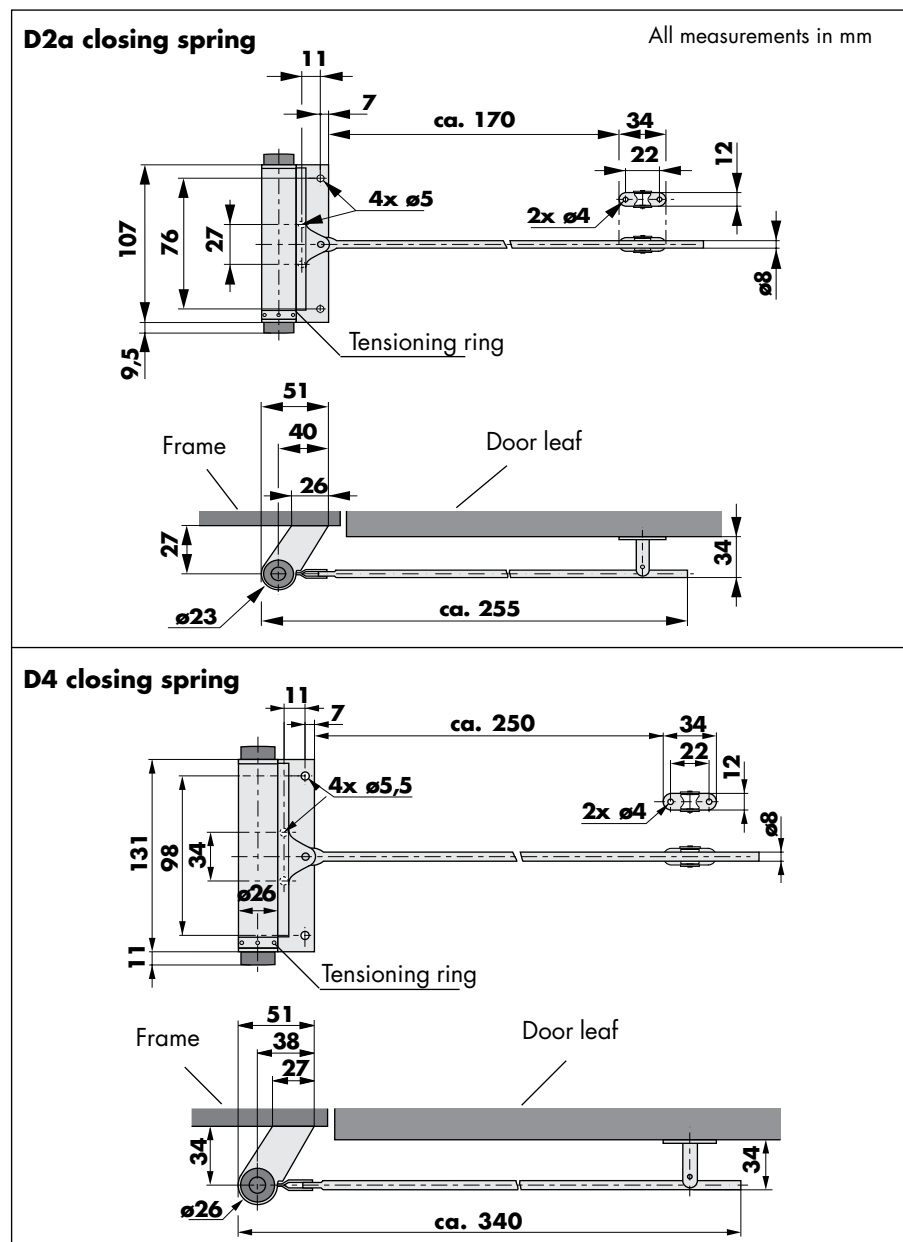
Mounting



Screw the closing spring mounting bracket to the door frame with $\varnothing 5$ mm screws, usually in the lower part of the door. The roller is then fixed to the door leaf. Please keep to the dimensions/distances given below.

To pre-tension the closing spring insert the tensioning pin into one of the holes of the ring and turn it towards the operating arm. Then insert the small bolt into the hole closest to the operating arm. If the force is still not sufficient, please repeat the procedure.

Dimensions



Order Information

D2a closing spring, nickel-plated	part no. 300300
D2a closing spring, stainless steel	part no. 300308
D4 closing spring, nickel-plated	part no. 300320
D4 closing spring, stainless steel	part no. 300328